

Application Note
for
9.7" Spectra
With
the cascaded IST7136 iTC

Description	Interface for the 9.7" Spectra EPD with the cascaded IST7136 iTC
Date	2020/11/23
Doc. No.	
Revision	02

4F, No. 28, Chuangye Rd., Tainan Science Park, Tainan City 74144, Taiwan (R.O.C.)

Tel: +886-6-279-5399

Fax: +886-6-270-5857

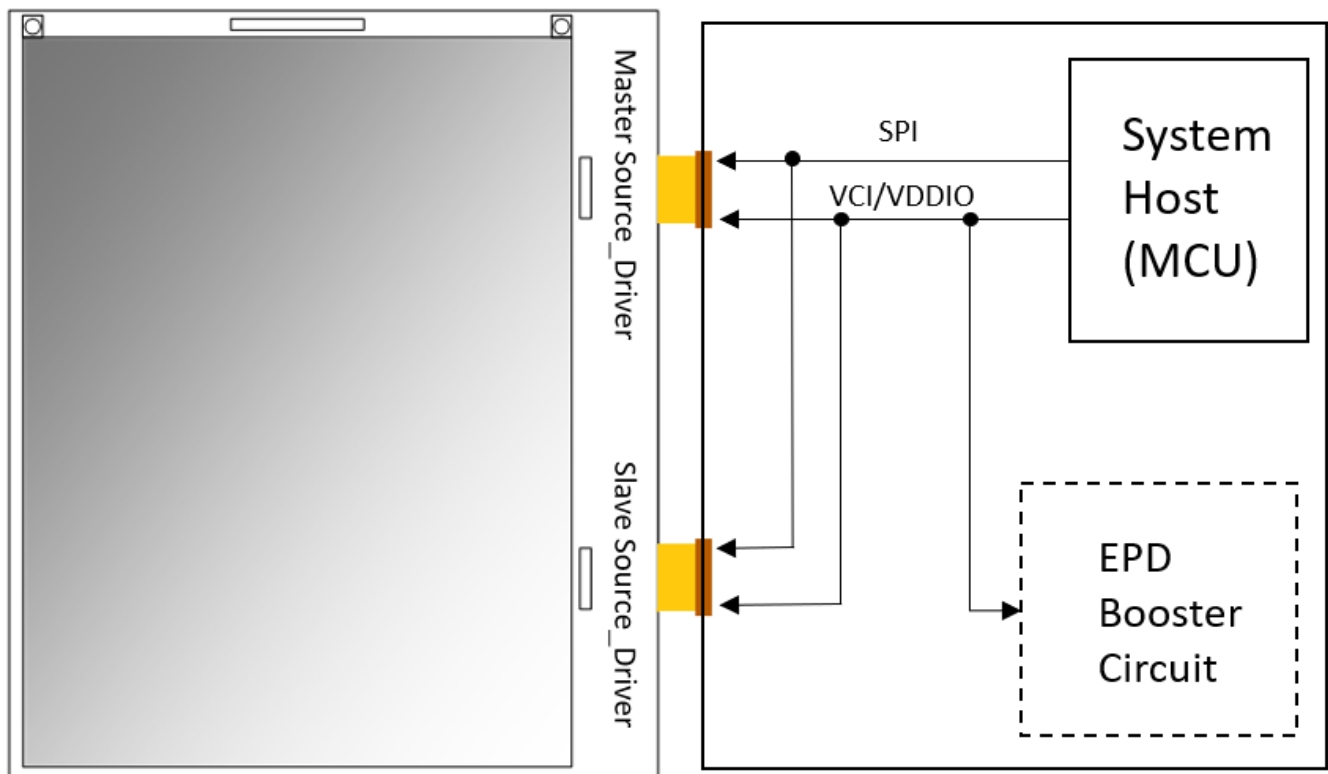
Table of Contents

1	General Description.....	3
1.1	Overview	3
1.2	Panel drawing.....	4
1.3	FPC interface.....	5
1.4	EPD Driving Flow Chart	9
1.5	SPI Timing Format	10
1.6	Read MTP data.....	13
2	Power on COG driver	14
3	Initialize COG Driver	15
3.1	Initial flow chart.....	15
3.2	Send image to the EPD	16
3.3	DC/DC soft-start	19
4	Send updating command	22
5	Turn-off DC/DC	23
	Revision History.....	25
	Glossary of Acronyms	26

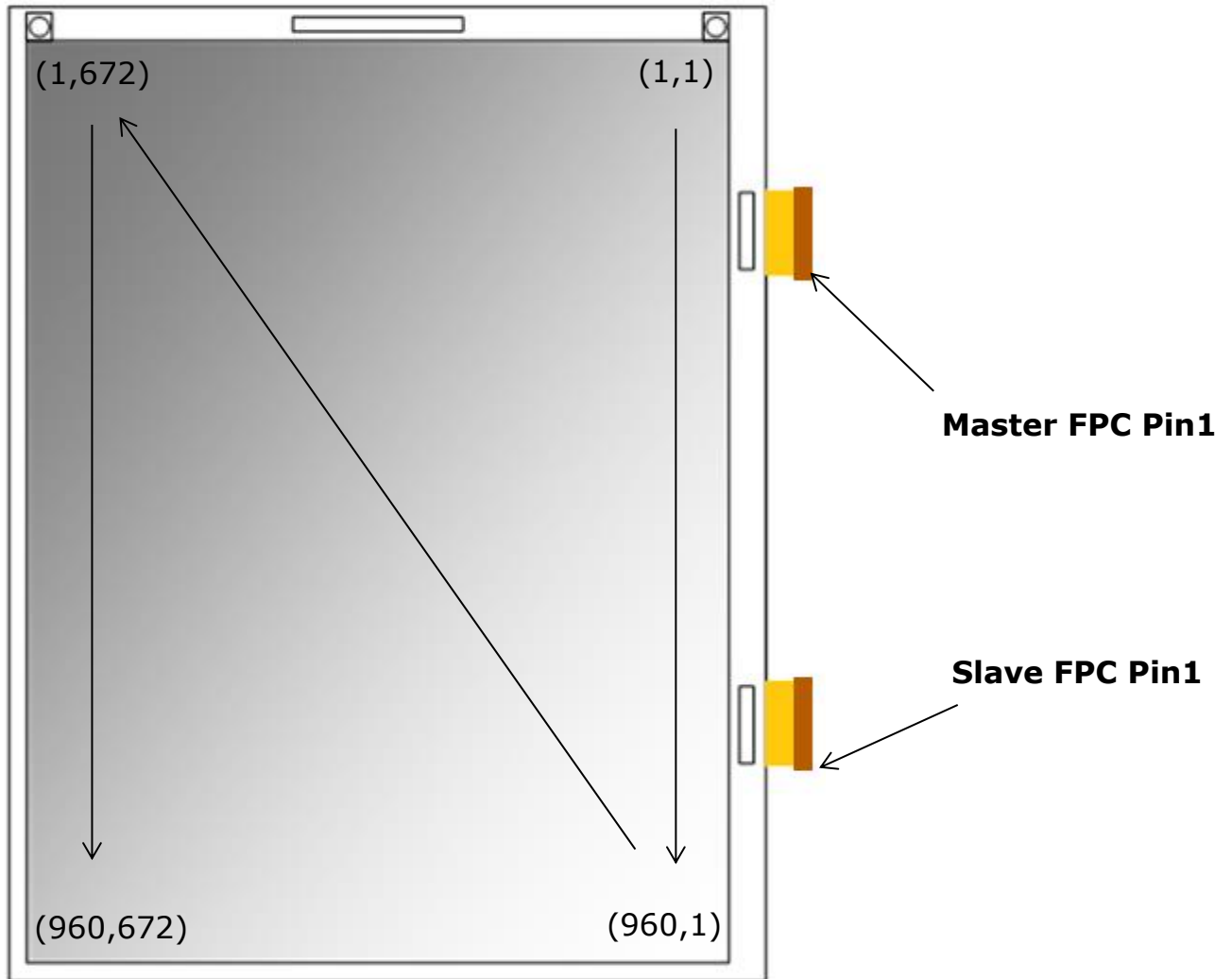
1 General Description

1.1 Overview

The document introduces how to drive the 9.7" EPD with the cascaded IST7136. The EPD has embedded the Tcon function. The major control interface of the driver is SPI. The host sends both the setting commands and the display image to driver through the SPI bus.



1.2 Panel drawing



1.3 interface

The 9.7" EPD was mounted two source drivers. They are Master and Slave role respectively and share the same SPI with separate CS.

The pin assignment of FPC are as follows, the pitch of FPC is 0.5mm.

1.3-1 Master FPC Pin Define

No.	Signal	Type	Connected to	Function
1	FSYNC	I/O	Slave FSYNC	Cascade line frame sync
2	NGDRV	O	Power MOSFET Driver control	This pin is the N-Channel MOSFET Gate Drive Control.
3	RESE	I	Booster Control Input	This pin is the Current Sense Input for the Control Loop.
4	INTERNAL_VPP	P	VPP PIN & Slave FPC	MTP power internal
5	NC	C	-	NC
6	LNSYNC	I/O	Slave LNSYNC	Cascade line sync
7	CLK	I/O	Slave CLK	Cascade clock
8	BS	I	VSS	This pin is setting panel interface.
9	M_BUSY	O	Device Busy Signal	This pin is Busy state output pin of the master chip. When Busy is Low, the operation of the chip should not be interrupted, and Command should not be sent.
10	RESETB	I	System Reset	This pin is reset signal input. Active Low.
11	A0	I	VDDIO or VSS	This pin is Data/Command control.
12	M_CSB	I	VDDIO or VSS	This pin is the Master chip select.
13	SCL	I	Data Bus	Serial communication clock input.
14	SDA	I	Data Bus	Serial communication data input/output.
15	VDDIO	P	Power Supply	Power for interface logic pins & I/O. It should be connected with VDDIO.
16	VDD	P	Power Supply	Power Supply for the chip.
17	VSS	P	Ground	Ground
18	VDDL	C	Capacitor	Internal regulator output A capacitor should be connected between VDDL and VSS.

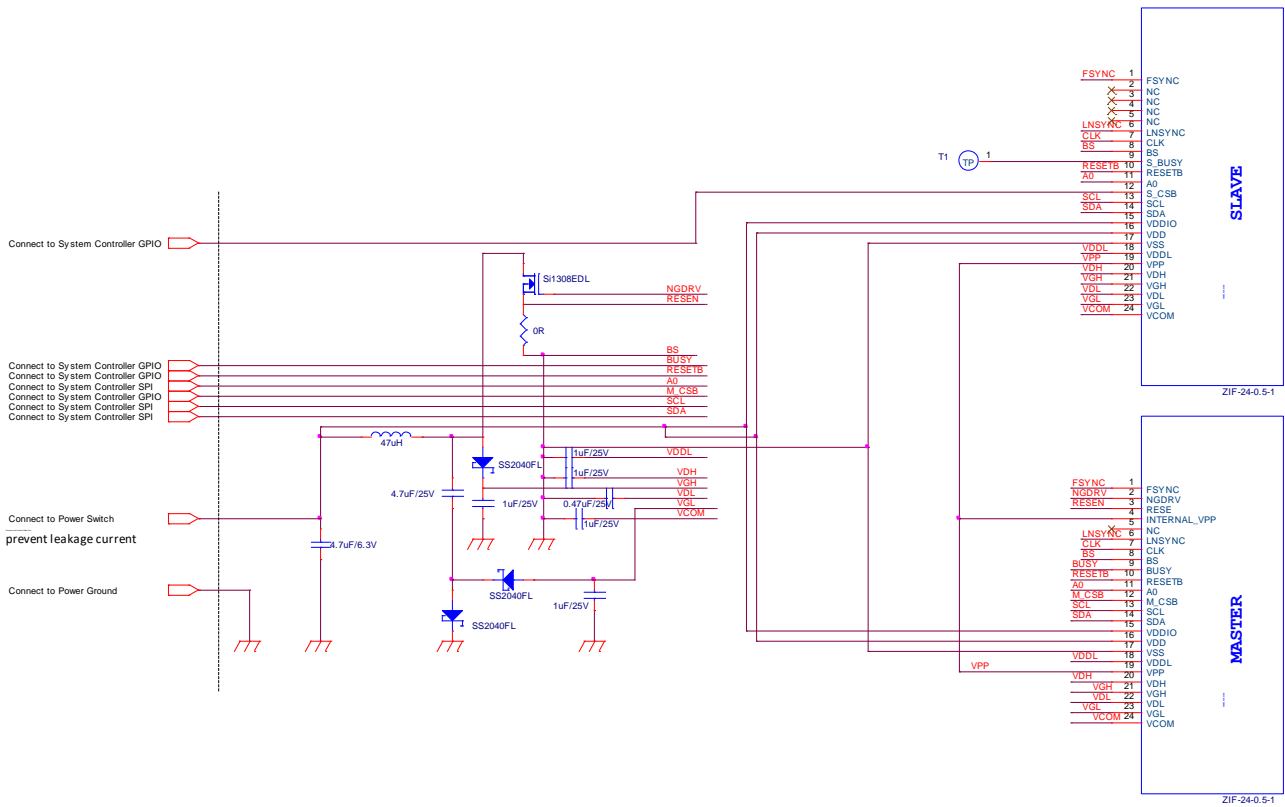
No.	Signal	Type	Connected to	Function
19	VPP	P	INTERNAL_VPP& Slave VPP	MTP power
20	VDH	C	Capacitor	This pin is the Positive Source driving voltage. A stabilizing capacitor should be connected between VDH and VSS.
21	VGH	C	Capacitor	This pin is the Positive Gate driving voltage. A stabilizing capacitor should be connected between VGH and VSS.
22	VDL	C	Capacitor	This pin is the Negative Source driving voltage. A stabilizing capacitor should be connected between VDL and VSS.
23	VGL	C	Capacitor	This pin is the Negative Gate driving voltage. A stabilizing capacitor should be connected between VGL and VSS.
24	VCOM	C	Capacitor	This pin is the VCOM driving voltage. A stabilizing capacitor should be connected between VCOM and VSS.

1.3-2 Slave FPC Pin Define

No.	Signal	Type	Connected to	Function
1	FSYNC	I/O	Master FSYNC	Cascade line frame sync
2	NC	-	-	Not connected
3	NC	-	-	Not connected
4	NC	-	-	Not connected
5	NC	-	-	Not connected
6	LNSYNC	I/O	Master LNSYNC	Cascade line sync
7	CLK	I/O	Master CLK	Cascade clock
8	BS	I	VSS	This pin is setting panel interface.
9	S_BUSY	O	Device Busy Signal	This pin is Busy state output pin of the slave chip. When Busy is Low, the operation of the chip should not be interrupted, and Command should not be sent.
10	RESETB	I	System Reset	This pin is reset signal input. Active Low.
11	A0	I	VDDIO or VSS	This pin is Data/Command control.
12	S_CS	I	VDDIO or VSS	This pin is the Slave chip select.
13	SCL	I	Data Bus	Serial communication clock input.

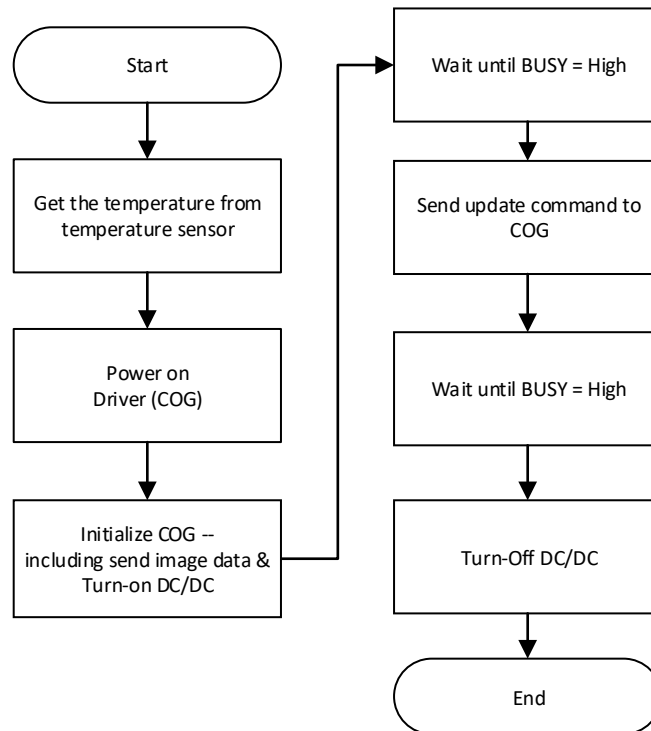
No.	Signal	Type	Connected to	Function
14	SDA	I	Data Bus	Serial communication data input/output.
15	VDDIO	P	Power Supply	Power for interface logic pins & I/O. It should be connected with VDDIO.
16	VDD	P	Power Supply	Power Supply for the chip.
17	VSS	P	Ground	Ground
18	VDDL	C	Capacitor	Internal regulator output A capacitor should be connected between VDDL and VSS.
19	VPP	P	Master VPP	MTP power
20	VDH	C	Capacitor	This pin is the Positive Source driving voltage. A stabilizing capacitor should be connected between VDH and VSS.
21	VGH	C	Capacitor	This pin is the Positive Gate driving voltage A stabilizing capacitor should be connected between VGH and VSS.
22	VDL	C	Capacitor	This pin is the Negative Source driving voltage. A stabilizing capacitor should be connected between VDL and VSS.
23	VGL	C	Capacitor	This pin is the Negative Gate driving voltage. A stabilizing capacitor should be connected between VGL and VSS.
24	VCOM	C	Capacitor	This pin is the VCOM driving voltage A stabilizing capacitor should be connected between VCOM and VSS.

1.3-3 EPD Reference Circuit



1.4 EPD Driving Flow Chart

The flowchart below provides an overview of the necessary actions to update the EPD. The steps below refer to the detailed descriptions in the respective sections.



1.5 SPI Timing Format

SPI commands are used to communicate between the MCU and the COG Driver. The SPI format used differs from the standard in that two way communications are not used. When setting up the SPI timing, PDI recommends verify both the SPI command format and SPI command timing in this section.

The maximum clock speed of the display is **5MHz**.

- Below is a description of the SPI Format:

SPI(0xI, 0xD₁, 0xD₂, ..., 0xD_n, csDS)

Where:

I is the Register Index and the length is 1 byte

D_{1~n} is the Register Data. The Register Data length is variously.

The csDS indicates this command is delivered to which driver or both.

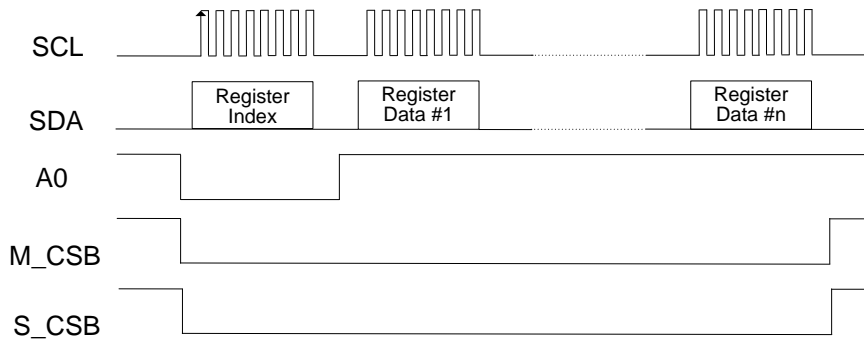
csMaster : only deliver to Master driver

csSlave : only deliver to Slave driver

csBoth : deliver to both Master and Slave

- When SPI sends the Index, the A0 has to pull LOW. When sends the data, the A0 has to pull HIGH. The next page is the detail flow chart.

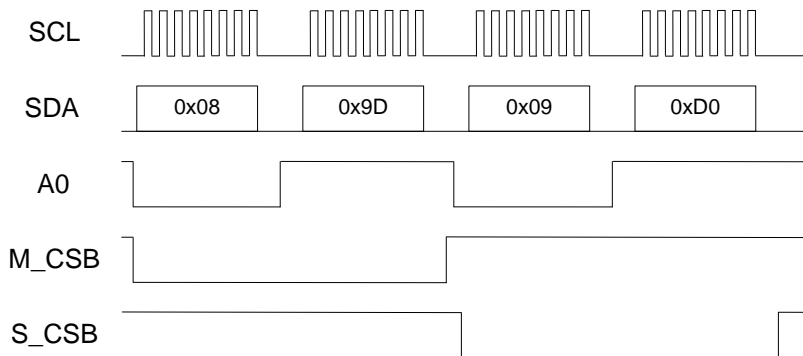
- SPI command signals and flowchart:



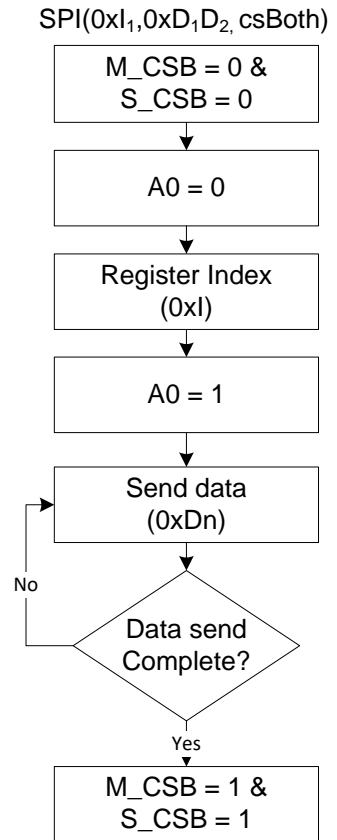
For example:

To send two SPI commands:

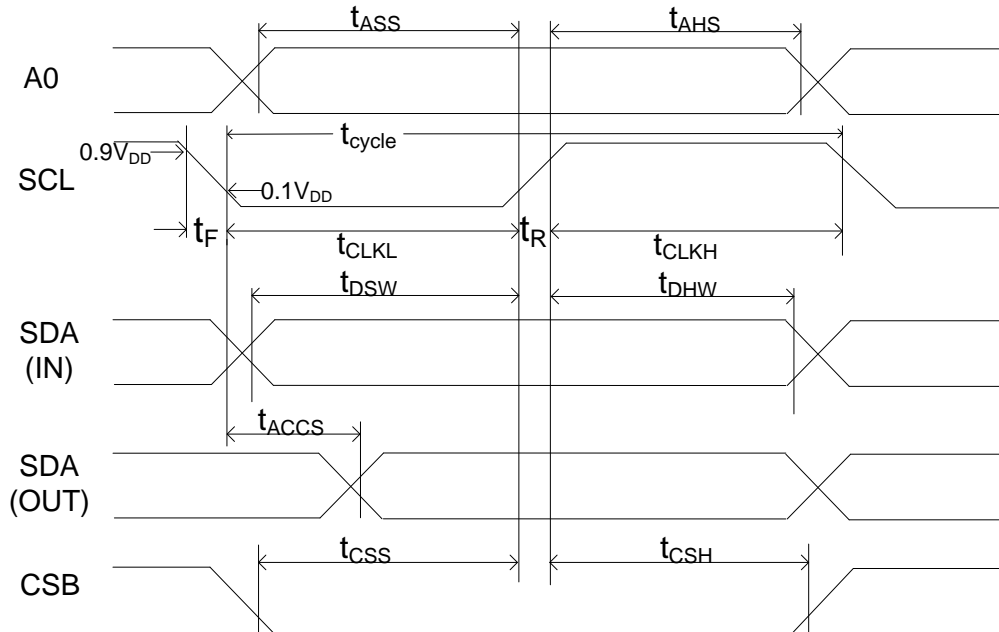
SPI((0x08,0x9D, csMaster) and SPI(0x09, 0xD0, csSlave)



If register data is larger than two bytes, you must input data continuously without setting Register Index again.



- SPI command timing



SPI DATA-IN

Item	Symbol	Min.	Typ.	Max.	Unit	Remark
Clock Cycle Time	t_{cycle}	200	-	-	ns	
Chip Select Setup Time	t_{CSS}	90	-	-	ns	
Chip Select Hold Time	t_{CSH}	90	-	-	ns	
Write Data Setup Time	t_{DSW}	90	-	-	ns	
Write Data Hold Time	t_{DHW}	90	-	-	ns	
A0 Setup Time	t_{ASS}	90	-	-	ns	
A0 Hold Time	t_{AHS}	90	-	-	ns	
Clock Low Time	t_{CLKL}	90	-	-	ns	
Clock High Time	t_{CLKH}	90	-	-	ns	
Rise Time [10% ~ 90%]	t_R	-	-	15	ns	
Fall Time [90% ~ 10%]	t_F	-	-	15	ns	

SPI DATA-OUT (read)

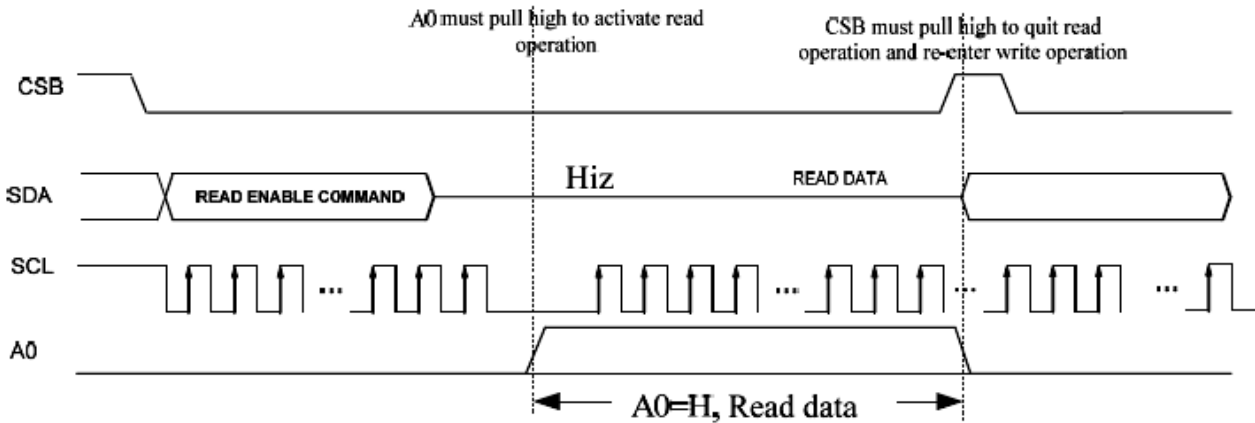
Item	Symbol	Min.	Typ.	Max.	Unit	Remark
Clock Cycle Time	t_{cycle}	600	-	-	ns	
Chip Select Setup Time	t_{CSS}	400	-	-	ns	
Chip Select Hold Time	t_{CSH}	150	-	-	ns	
Read access time	t_{ACCS}	-	-	200	ns	
A0 Setup Time	t_{ASS}	90	-	-	ns	
A0 Hold Time	t_{AHS}	90	-	-	ns	
Clock Low Time	t_{CLKL}	400	-	-	ns	
Clock High Time	t_{CLKH}	150	-	-	ns	
Rise Time [10% ~ 90%]	t_R	-	-	15	ns	
Fall Time [90% ~ 10%]	t_F	-	-	15	ns	

VCC = 2.3 to 3.6V

Temp = 0 to +50°C

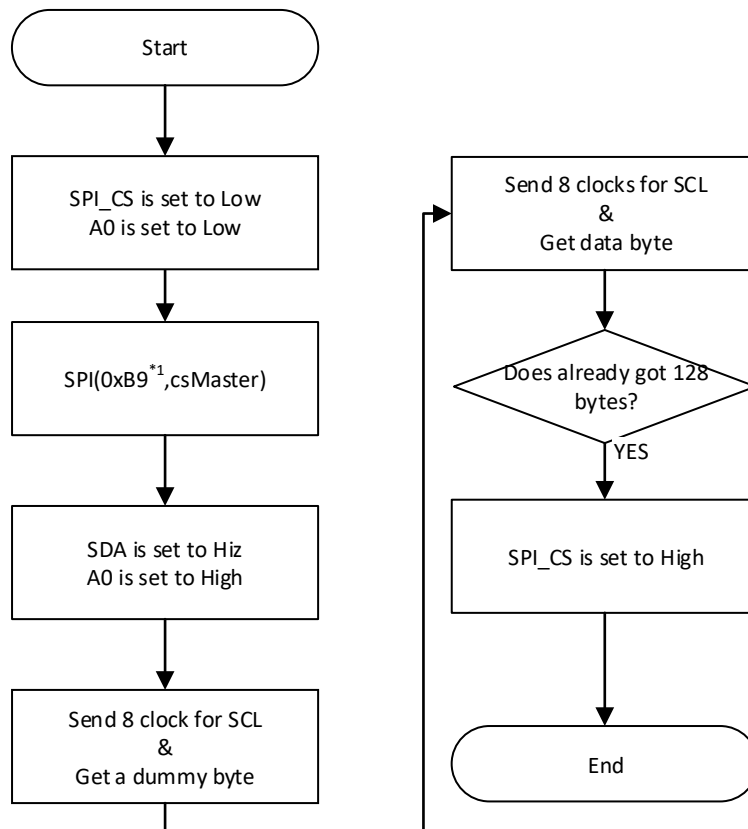
1.6 Read OTP data

The 128-bytes section of OTP have saved the user-defined data(OTP address from 0x0EE8 to 0x0F67) that includes the information of the display and soft-start parameters. The section will introduce how to read out the data through the SPI.



- Note: 1. After read enable command is set, SDA must set Hiz, and A0 set high to active read operation
 2. When read operation is done, CSB must set high once to quit read operation.

Read operation of 4-Line SPI

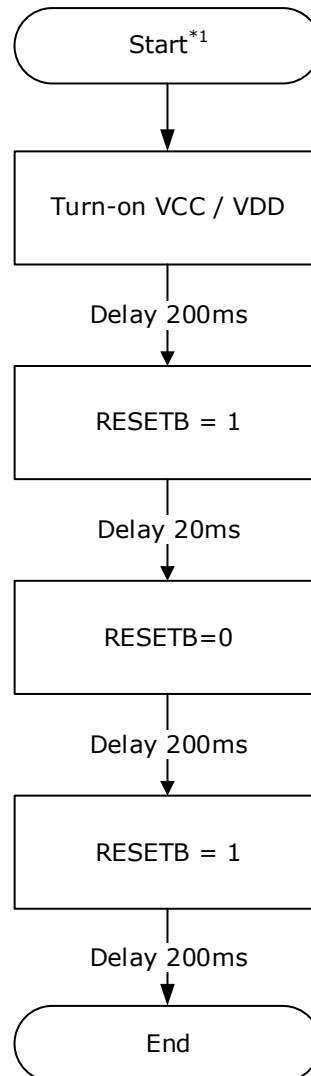


Note:

1. Use command 0xB9 to read OTP data from OTP address 0x0EE8 to 0x0F67.

2 Power on COG driver

This flowchart describes power sequence for driver chip.



Note:

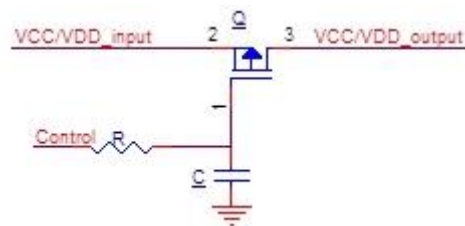
1. Start

Initial State:

VCC/VDD, RESETB, M_CSB, S_CSB, SDA, SCL = 0

In order to the inrush current will cause other issue.

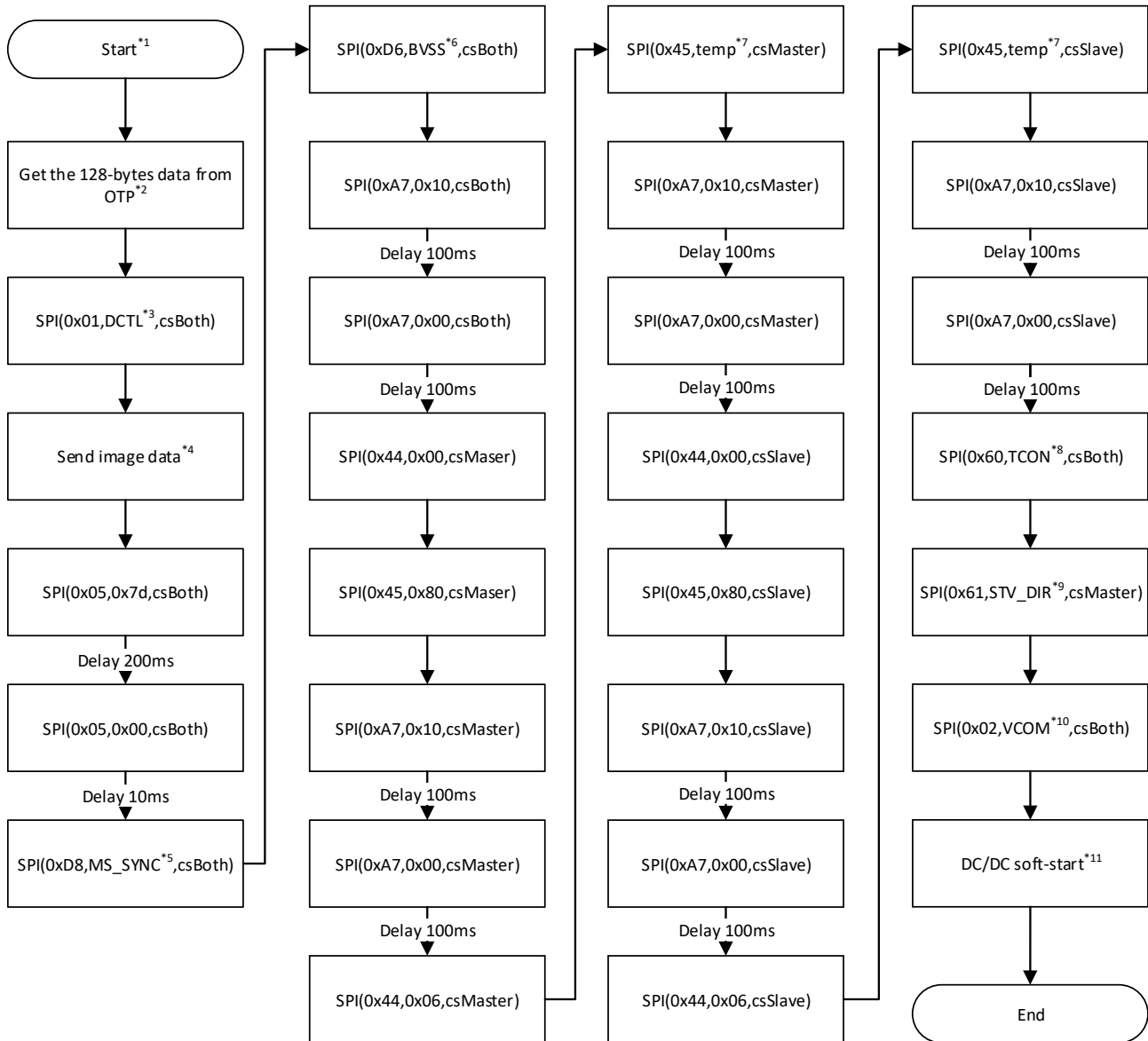
It is recommended to add soft-start when VCC/VDD is turned on.



VCC/VDD soft-start

3 Initialize COG Driver

3.1 Initial flow chart

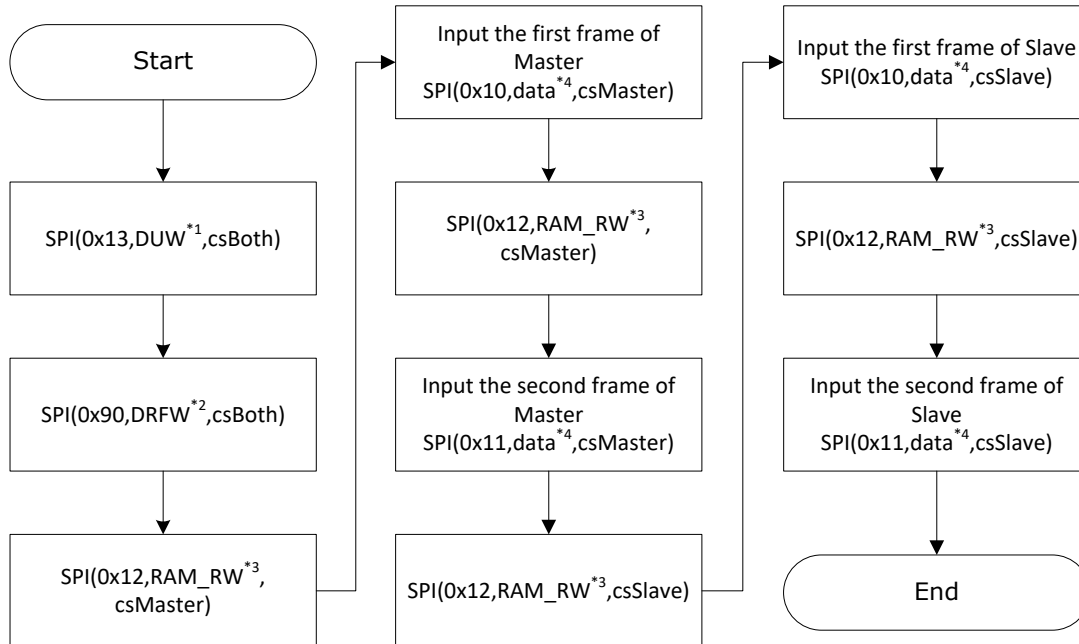


Note:

1. Start: Follow the end of the power on sequence
2. Please refer to section 1.6 to get the 128-bytes of the user-defined.
3. DCTL is read from 0x10 of OTP memory
4. Please refer to section 3.2
5. MS_SYNC is read from 0x1C of OTP memory
6. BVSS is read from 0x1D of OTP memory
7. The data represents the temperature value. The acceptable range of temperature is -40 ~ 87°C and 0.5°C per step. Such as,
 -40°C = 0x00,
 0°C = 0x50,
 25°C = 0x82,
 87°C = 0xFE
8. TCON is read from 0x0B of OTP memory.
9. STV_DIR is read from 0x1B of OTP memory
10. VCOM is read from 0x11 of OTP memory
11. Please refer to section 3.3

3.2 Send image to the EPD

This section describes how to send image data into COG which will be displayed on the display.



Note:

- 1, **DUW**: there is 6 bytes' data that are read from 0x15 ~ 0x1A of OTP memory.
- 2, **DRFW**: there is 4 bytes' data that are read from 0x0C ~ 0x0F of OTP memory.
- 3, **RAM_RW**: there is 3 bytes' data that are read from 0x12 ~ 0x14 of OTP memory.
4. The data of totally have 40,320 bytes, please refer to next page to send the data.

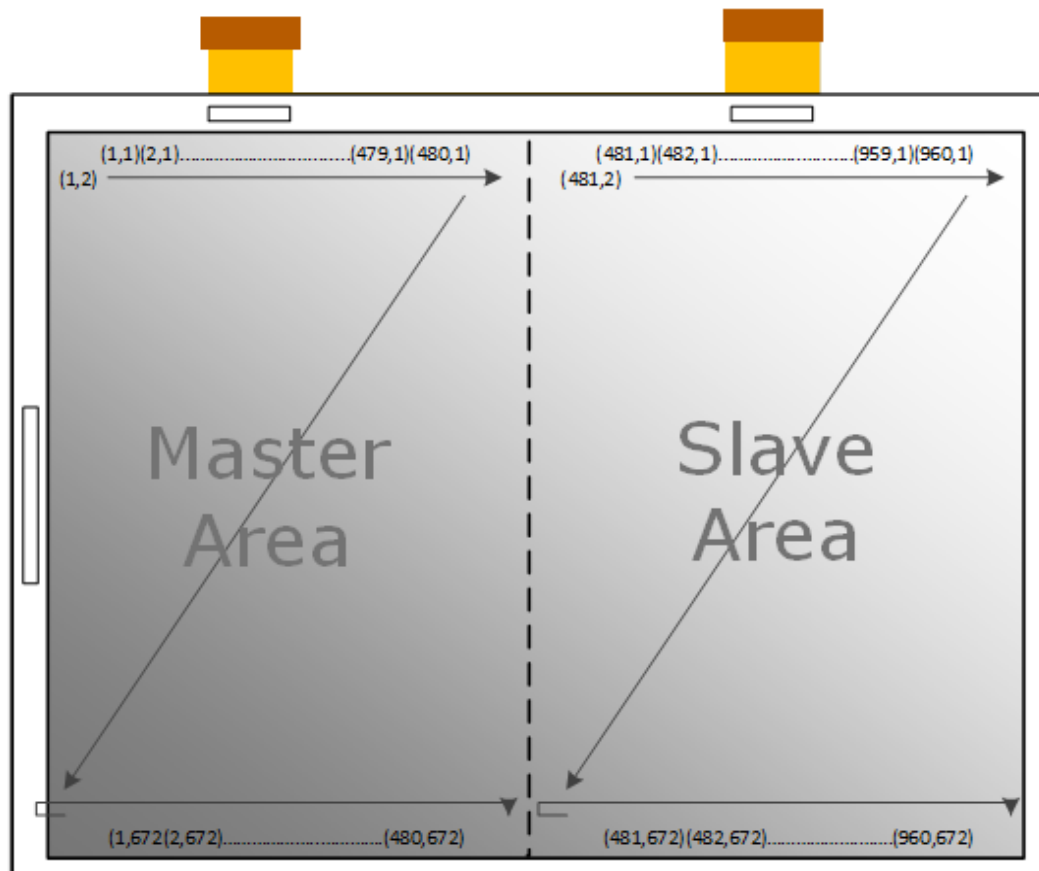
Both First and Second frame data need to be send into Master and Slave driver respectively each updating. The index of the First frame is **0x10** and the Second frame is **0x11**.

- Image format

The data of image frame, one bit represents 1 pixel. (e.g. the first byte represents the 1st~ 8thpixels of the first line, the second byte represents the 9th~ 16thpixels of the first line, and so on).

Master Image data input sequence :	Slave Image data input sequence :
Line1:(1,1)>(2,1)>...>(480,1)>	Line1:(481,1)>(482,1)>...>(960,1)>
Line2:(1,2)>(2,2)>...>(480,2)>	Line2:(481,2)>(482,2)>...>(960,2)>
:	:
:	:
Line672:>(480,672)	Line672:>(960,672)
 Total : 1 x 480 x 672 = 322,560 bits = 40,320 Bytes	 Total : 1 x 480 x 672 = 322,560 bits = 40,320 Bytes

Data Byte	D[7]	D[6]	D[5]	D[4]	D[3]	D[2]	D[1]	D[0]
Pixel	P[n]	P[n+1]	P[n+2]	P[n+3]	P[n+4]	P[n+5]	P[n+6]	P[n+7]



- First Frame

The frame is the "black" frame. The data "1" represents the black color pixel and the data "0" represents both white and color pixel.

Data	Pixel Color
1	Black
0	White/Color

- Second Frame

The frame is the "Color" frame. The data "1" represents the color pixel and the data "0" represents both black and white pixel.

Data	Pixel Color
1	Color
0	White/Black

3.3 DC/DC soft-start

There are 32-bytes data for describing the sequence of soft-start.

	0/8	1/9	2/10	3/11	4/12	5/13	6/14	7/15
...							
0x28	1st stage							
0x30	2nd stage							
0x38	3rd stage							
0x40	4th stage							
...							

The sequence totally has 4 stages. Each stage has 8 byte parameters. The bytes of each stage can be interpreted in 2 ways.

Data structure and definition:

	1st byte	2nd byte	3rd byte	4th byte	5th byte	6th byte	7th byte	8th byte
format1	REPEAT/FORMAT	PHL_INI	PHH_INI	PHL_VAR	PHH_VAR	BST_SW_a	BST_SW_b	DELAY
format2	REPEAT/FORMAT	BST_SW_a	BST_SW_b	DELAY_a	DELAY_b	?	?	?

REPEAT/FORMAT:

The times to repeat and the data format used in this stage

The MSB defines the format used in this stage

bit	7	6	5	4	3	2	1	0
REPEAT/FORMAT	Format	Times to repeat						

Format: 1-> bytes are defined as "format1"(see above)

0-> bytes are defined as "format2"(see above)

Example: 0x87 -> format1, repeat 7 times

0x64 -> format2, repeat 100 times

PHL_INI:

Define the initial value of PHL(the first data of the reg.0x51)

PHH_INI:

Define the initial value of PHH(the second data of the reg.0x51)

PHL_VAR:

The byte represents the changing value of PHL with each iteration(REPEAT)

PHH_VAR:

The byte represents the changing value of PHH with each iteration(REPEAT)

Both PHL_VAR_n and PHH_VAR_n could be a negative number. The negative number is represented by 2's complement.

Example: -5 equals 0xFB

BST_SW_a:

BST_SW setting is the power on/off manager(reg.0x09) at the start of the phase.

BST_SW_b:

BST_SW setting is the power on/off manager(reg.0x09) at the end of the phase.

DELAY:

The delay time at the end of the stage.

bit	7	6	5	4	3	2	1	0
DELAY_n	Scale	Delay time						

Scale: 1 -> the scale of the delay time is msec.

0 -> the scale of the delay time is 10usec.

Example: 0x82 -> delay 2ms

0x02 -> delay 20us

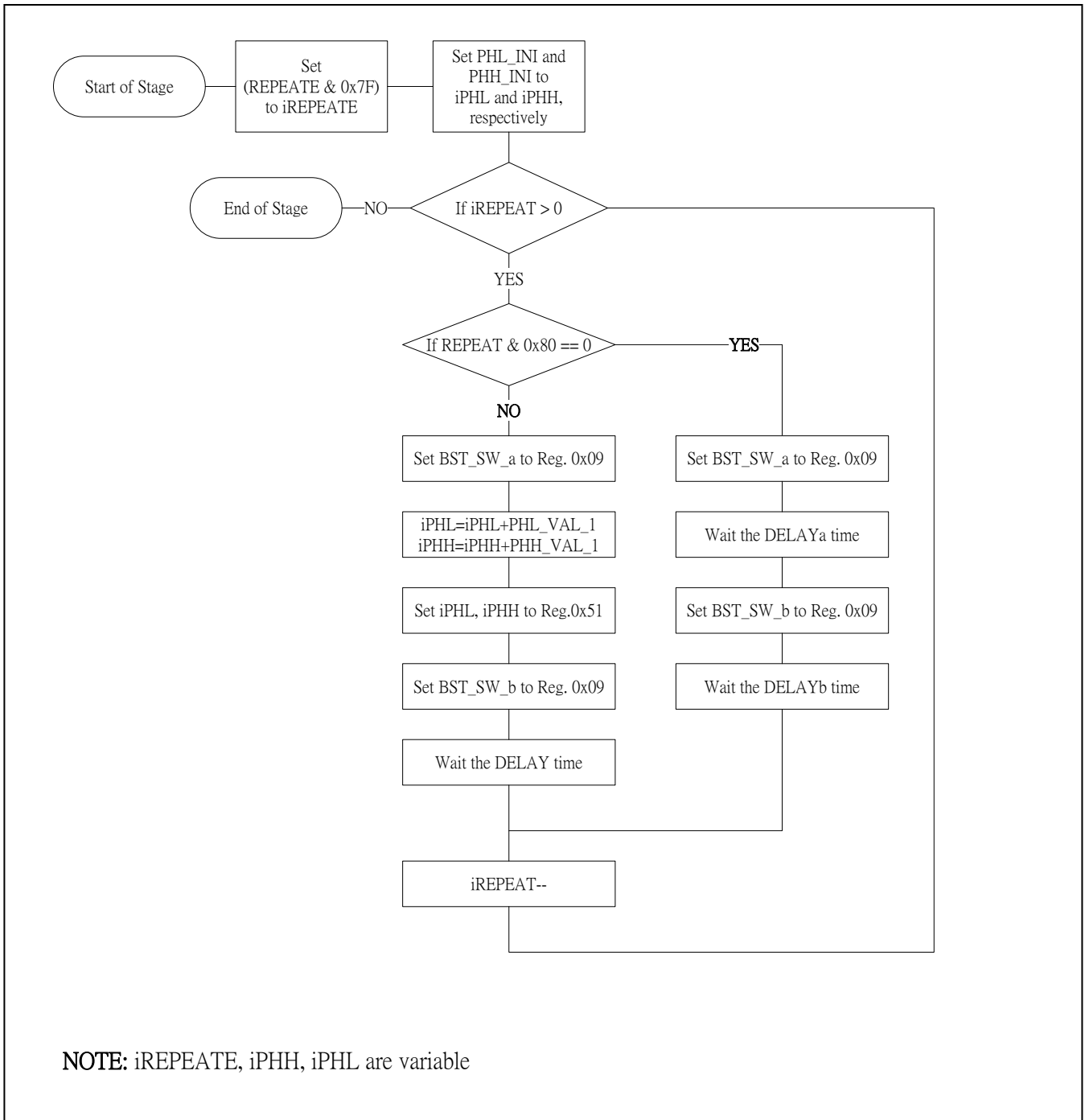
DELAY_a:

Same as "DELAY" but inserted after BST_SW_a

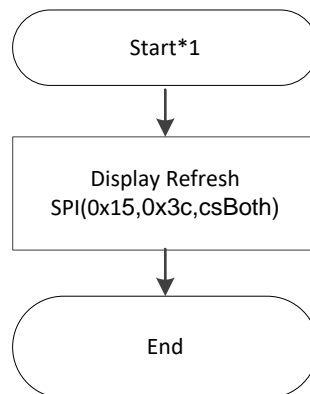
DELAY_b:

Same as "DELAY" but inserted after BST_SW_b

Following is the flowchart for each "stage",



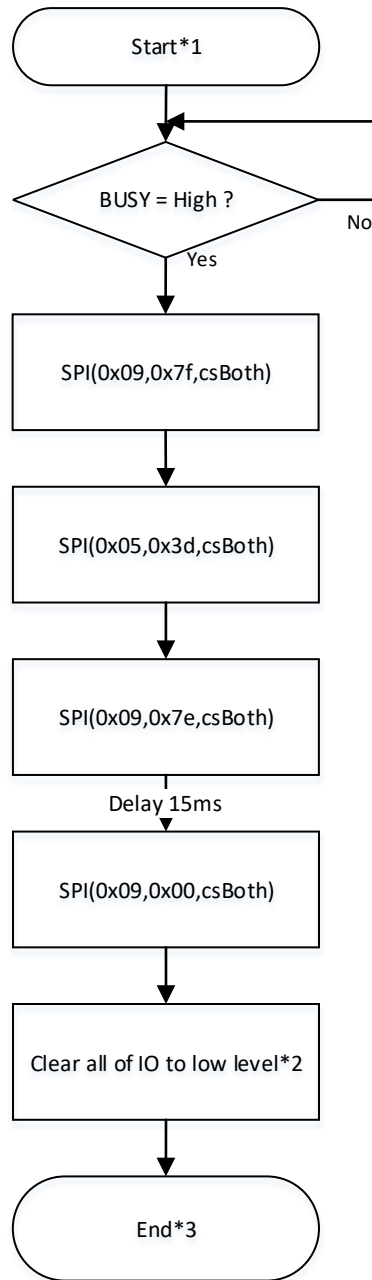
4 Send updating command



Note:

1. Start
Follow the end of the COG initial flow

5 Turn-off DC/DC



Note:

1. Start

Follow the end of the send updating command

2. VCC/VDD, RESETB, A0, M_CS_B, S_CS_B, SCL and SDA

3. Finished the all of the steps for update the 9.7" EPD

Copyright

Pervasive Displays Incorporated All rights reserved.

This document is the exclusive property of Pervasive Displays Inc. (PDI) and shall not be reproduced or copied or transformed to any other format without prior permission of PDI. (PDI Confidential)

本資料為龍亭新技股份有限公司專有之財產，非經許可，不得複製、翻印或轉變成其他形式使用。

龍亭新技股份有限公司 Pervasive Displays Inc.

4F, No. 28, Chuangye Rd., Tainan Science Park, Tainan City 74144, Taiwan (R.O.C.)

Tel: +886-6-279-5399

<http://www.pervasivedisplays.com>

Revision History

Version	Date	Page (New)	Section	Description
01	2020/9/3			First official edition
02	2020/11/23		3.1	Remove C2 instruction, modify MS_SYNC, BVSS, STV_DIR read address
			3.2	Modify DUW, RAM_RW read address
			3.3	Modify DC/DC soft start 1st ~ 4th stage read address

Glossary of Acronyms

EPD	Electrophoretic Display (e-Paper Display)
EPD Panel	EPD
TCon	Timing Controller
FPL	Front Plane Laminate (e-Paper Film)
SPI	Serial Peripheral Interface
COG	Chip on Glass
PDI, PDi	Pervasive Displays Incorporated