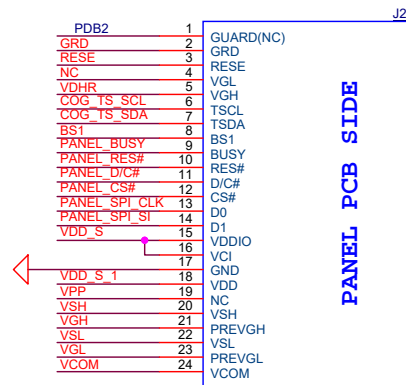
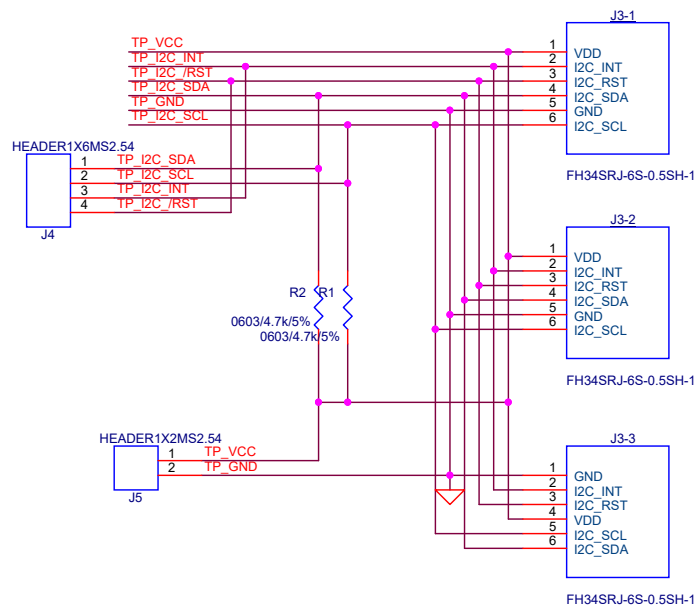


ZIF-34-0.5



ZIF-24-0.5-1



PERVASIVEDISPLAYS 龍亭新技股		
APPROVED:	Date:	DWG NO.:
CHECKED:	Date:	PART NO.:
DESIGNER:	Date:	Rev SHEET:
DRAWER:	Date:	EXT3- Touch board