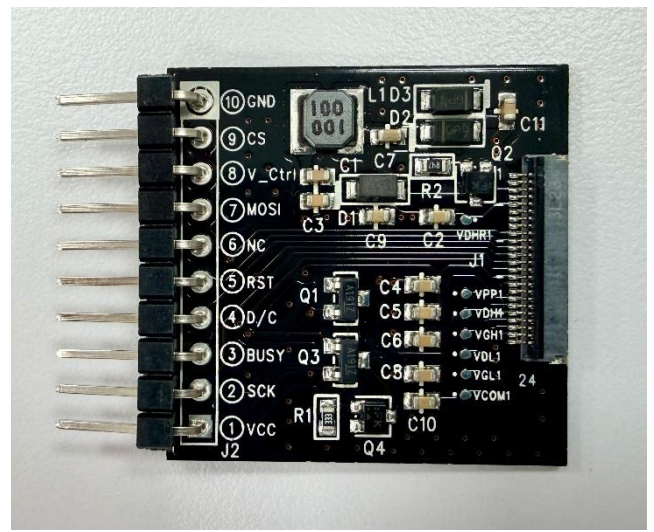
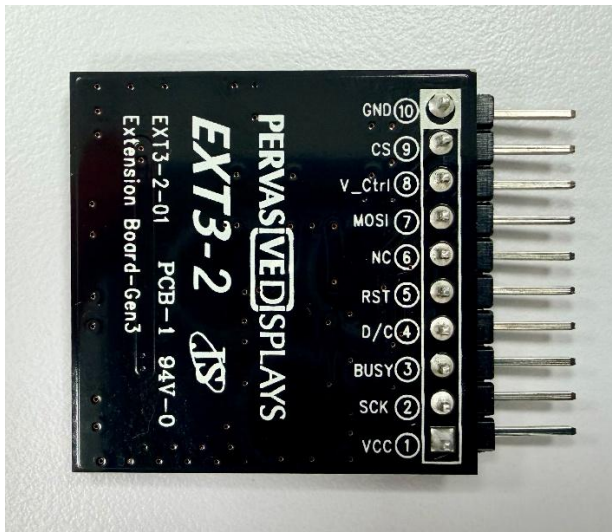


EPD Extension Kit Gen 3 (EXT3-2)

EPD Extension Kit Generation 3 version 2 (EXT3-2 kit) is a new driving extension board to connect with your product to kick-start ultra-low power display application with EPDs (E Ink e-Paper displays).

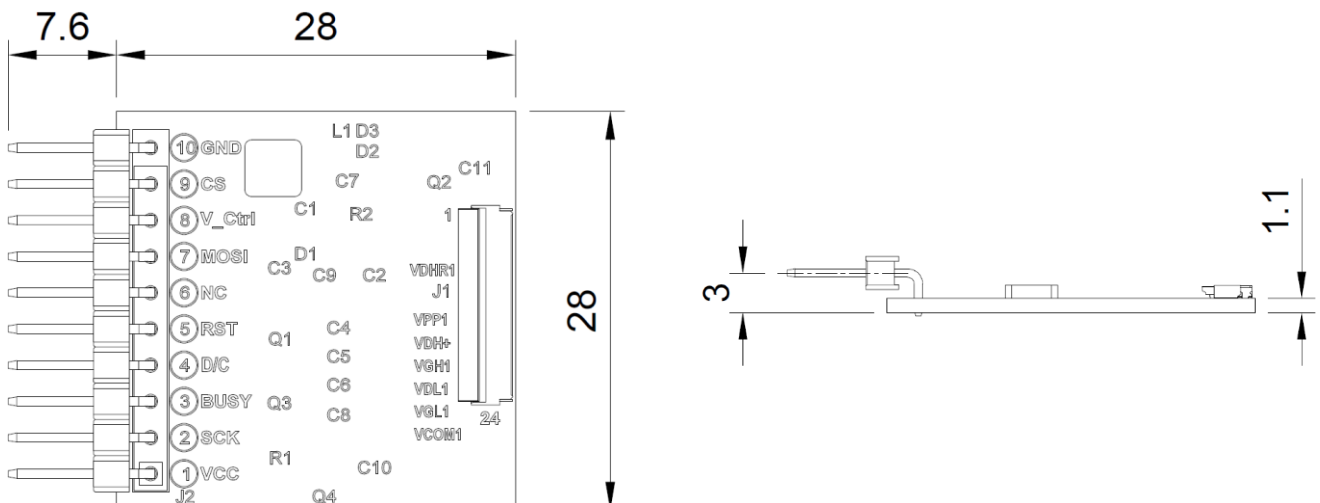


Features

- EXT3-2 provides a 10-pin right angle header bundled together with a 10-pin * 1 pcs of color-coded cables for easy interfacing with your chosen development board (EVK) or current design platform.
- EXT3-2 board has soldered the driving circuit with components with a 24-pin ZIF connector for Pervasive Displays' EPDs. (except 9.7" and 12.2", you can choose EXT3-1 Giant kit)



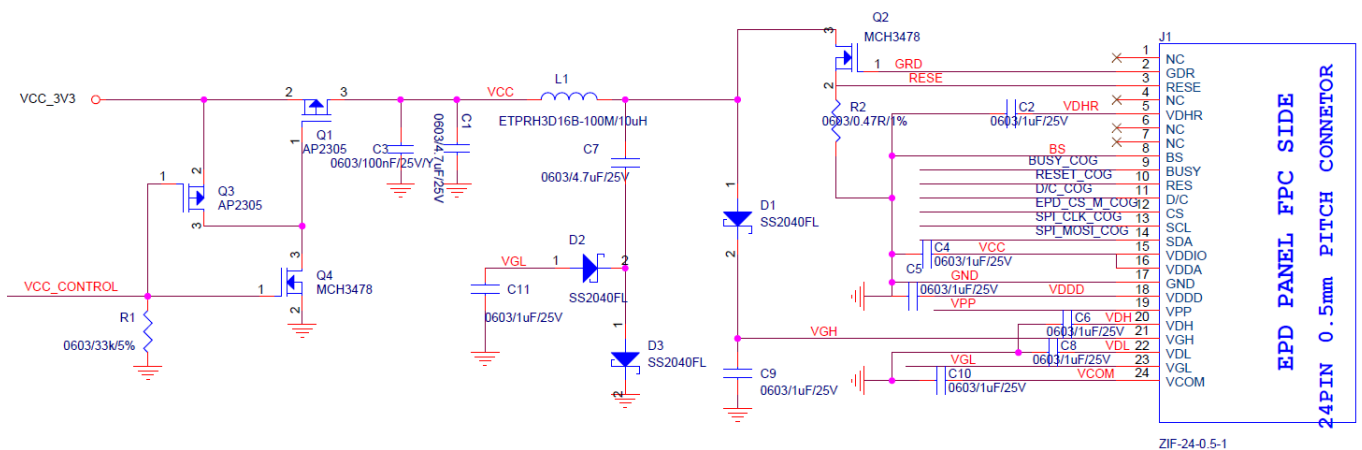
Dimensions (in mm)



Pinouts

#	Pin name	Description
1	VCC	Vcc 3.3V
2	SCK	SPI CLK, serial communication clock input
3	BUSY	Busy state output pin
4	D/C	Serial bus for controlling data or command, L: command; H: data
5	RST	Reset signal input
6	NC	No Connection
7	MOSI	SPI MOSI, serial communication data input
8	V_Ctrl	EPD power supply control pin
9	CS	SPI chip select pin
10	GND	Ground

Schematic



Design Resources

- EXT3-2 board / kit [landing webpage](#)
- [User Guides and Knowledge Base](#)
- [EPD driving circuit guide](#)
- [Sample driving codes on GitHub](#)

Contact Us

PERVASIVEDISPLAYS

Pervasive Displays Inc.

4F, No. 28, Chuangye Rd., Tainan Science Park Tainan City (744094) Taiwan

Phone : +886-6-279-5399

www.pervsivedisplays.com